

C-Band Extended C-Band Ku-Band

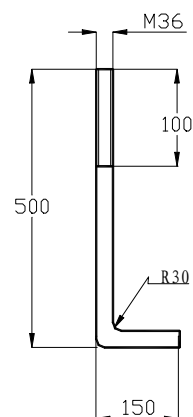
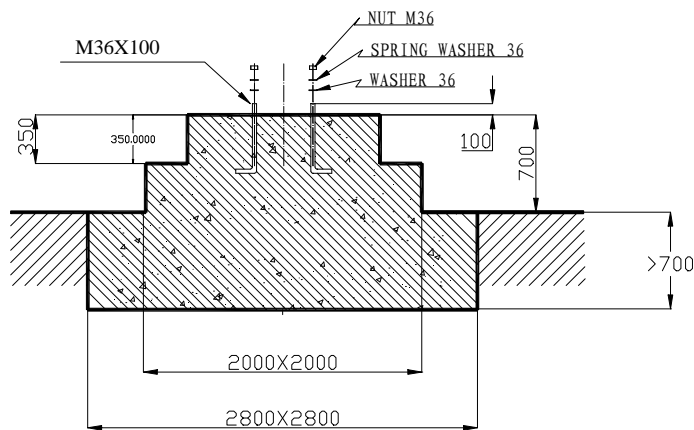
**SUMAN SATELLITE COMMUNICATION ANTENNA**

MODEL: SM-T4.5RC SM-T4.5RC/E SM-T4.5RK

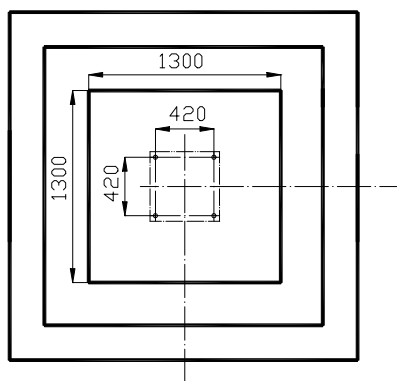
**4.5M**

**FOUNDATION DRAWING**

**(For the Ground)**



ANCHOR BOLT 4 UNITS



FOUNDATION

**Remark:**

1. The foundation is specially designed and made for SM-T4.5R 4.5m antenna.
2. Quality concrete should be used to make this foundation.
3. The foundation is designed to withstand the wind speed of 55m/s and the antenna should be locked to the sky when the wind speed over 55m/s.
4. Load capability of this foundation:  
Pulling-out force ----- 5800kg max.  
Pressure force ----- 6500kg max.
5. This foundation is suitable for the ground only and other design should be needed to erect the antenna on top of buildings.

**SUMAN SATELLITE TECHNOLOGY COMPANY**

SUMAN SATELLITE TECHNOLOGY COMPANY

#17 Lan Dian Chang Road, HaiDian District, Beijing, China 100097

Tel: +86-10-88455265 Fax: +86-10-88454630 E-mail: sumant@public.bta.net.cn Website: www.sumante.com